
Ordering Information

LH1-UC30E Music Horn Loudspeaker
30 W

LH1-UC30E

LBC 1256/00 EVAC Connection Adapter



4

The LBC 1256/00 is an EVAC connection adapter, to be installed in series with the 100 V primary connection of a loudspeaker unit, changing the loudspeaker into a BS 5839-8 compliant unit. This additional connection adapter ensures that, in the event of a fire, damage to the loudspeaker does not result in failure of the circuit to which it is connected. In this way, system integrity is maintained. The connection adapter consists of a 3-pole ceramic screw terminal block with a pre-mounted thermal fuse. It can replace a connection terminal or be mounted in a standard connection box. The LBC 1256/00 consists of 100 pieces.

Technical Specifications

Mechanical

Approx. dimensions	19 x 37 x 22 mm (0.75 x 1.46 x 0.87 in)
Type	3-pole screw connector
Material	Ceramic
Thermal fuse	150 °C
Pack contents	100 pieces
Weight	40 g (1.4 oz)

Ordering Information

LBC 1256/00 EVAC Connection Adapter	LBC1256/00
3-pole screw connector, 100 pieces	

LBC 1259/01 Universal Floorstand



Features

- ▶ Multi-purpose, lightweight aluminum stand
- ▶ For mounting a loudspeaker, wireless access point or Integrus radiator
- ▶ Double-braced folding base
- ▶ Reducer flange for different mountings
- ▶ Hand-adjustable
- ▶ Carrier bag for two pieces as optional accessory

This universal floorstand provides effective mounting solutions for loudspeaker installations, a Wireless Access Point of the DCN-Wireless system, or a radiator of the Integrus digital language distribution system. They are manufactured and finished to the same high standards as all Bosch products, assuring excellent quality and guaranteed compatibility throughout the range. The LBC 1259/01 is suited to a wide range of applications where a secure yet transportable mounting solution is required.

Functions

Adjustable and safe

The LBC 1259/01 floorstand is hand-adjustable using a spring-loaded locking screw for heights between 1.4 and 2.2 m (4.6 and 7.2 ft). An extra safety bolt on the support can be tightened to ensure the stand remains extended.

This lightweight stand has a double-braced folding base for extra strength, and a wide leg span to ensure stability.

Adaptable

The floorstand is standard supplied with a 36 mm (1.42 in) reducer flange with an M10 x 12 threaded pin to mount different sized equipment, and with an M10 knob to fix the Wireless Access Point mounting bracket.

Accessories

For storage and ease of transport, a carrier bag is available with two inside compartments with separate zippers for holding two universal floorstands (LBC 1259/01). The bag, with Bosch logo, is made from sturdy black weather-proof nylon. Two handles are fitted for carrying the bag by hand or over the shoulder.



LM1-CB Carrier Bag (optional)

Installation/Configuration Notes



LBC 1259/01 with DCN Wireless Access Point, LBB 451x/00 Infra-red Radiator and XLA 3200 Line Array Loudspeaker

Parts Included

Quantity	Component
1	LBC 1259/01 Universal Floorstand
1	36 mm (1.42 in) reducer flange with (M10 x 12) threaded pin
1	M10 securing knob for WAP mounting bracket
2	Metal filler rings

Technical Specifications
Mechanical

Length: standing	1.4 to 2.2 m (4.6 to 7.2 ft)
Length: folded	1.24 m (4.06 ft)
Width: legs extended	1.32 m (4.33 ft)
Width: legs folded	130 mm (5.1 in)
Weight	4.8 kg (10.58 lb)
Max. centric load	50 kg (110.2 lb)
Material	Aluminum/steel
Color	White aluminum (RAL 9006) with black parts
Tube diameter	35 mm (1.37 in)

Carrier bag accessory

Dimensions (L x D)	1.25 m x 27 mm (49 x 1.06 in)
Weight	750 g (1.65 lb)
Color	Black with light grey handles
Material	Nylon

Ordering Information

LBC 1259/01 Universal Floorstand	LBC1259/01
Lightweight aluminum construction, foldable, M10 x 12 reducer flange.	

Accessories

LM1-CB Carrier Bag for two floorstands	LM1-CB
Carrier Bag	

LBC 14x0/x0 MK Volume Controls and LBC 1430/10 Program Selector



Features

- ▶ 12 W, 36 W and 100 W versions
- ▶ Available in power-save or failsafe versions
- ▶ Built-in 24 VDC override relay
- ▶ Continuous rotating system
- ▶ Suitable for 3-wire and 4-wire systems
- ▶ Program selector with up to five channels
- ▶ Optional surface mounting box
- ▶ Complies with international installation and safety regulations

Bosch introduces a full range of volume controls and program selectors to provide a complete public address solution.

Functions

Operation

Public address systems are often used for both announcements and background music distribution. Volume controls can be used to adjust the level locally. In addition to volume control, program selectors can also be installed to select five different programs locally. In the event of an (emergency) announcement, the built-in relay ensures that the message is broadcast at a preset level, independent of the local volume setting.

The volume controls come in three versions according to power rating: 12 W, 36 W, and 100 W. The total load of the loudspeakers connected to a volume control may not exceed the rated power.

Each of the three versions is also available in two versions. One is a power-saving, 4-wire volume override (/10 models), where the override relay is activated during an emergency call. The other is a failsafe, 4-wire volume override (/20 models), where the override relay is deactivated during an emergency call.

The design and color are unobtrusive in any interior. Ease of installation, operation and reliability is optimized in the design.

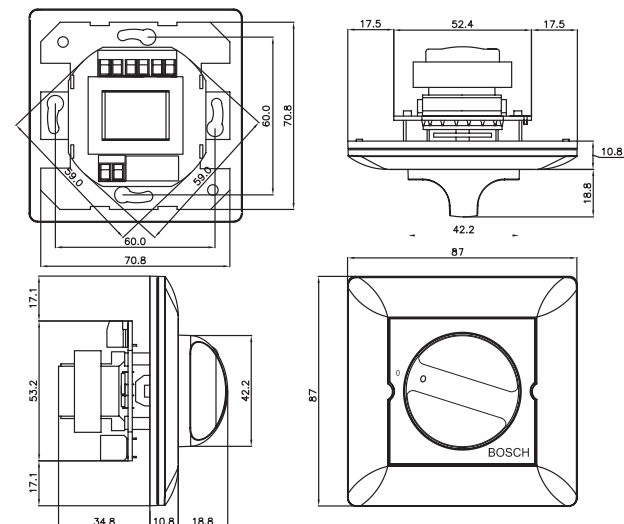
Interconnections

Screw connections

Certifications and Approvals

Safety	acc. to EN 60065
Self-extinguishing	acc. to UL 94 V0

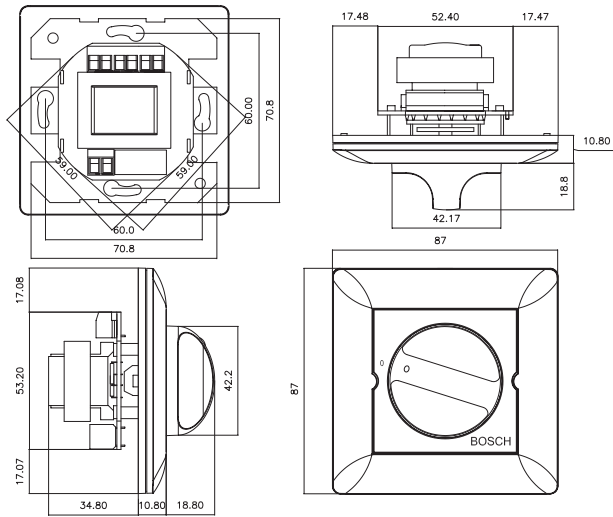
Installation/Configuration Notes



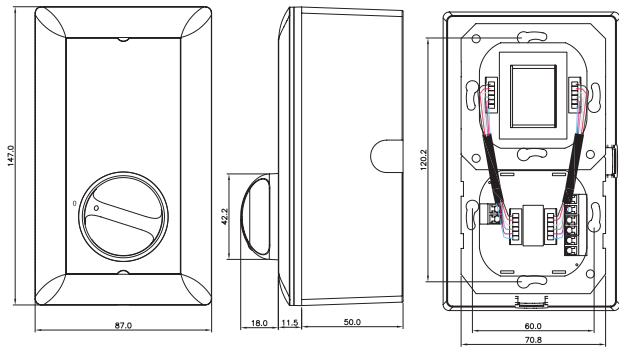
LBC 1400/10 and LBC 1400/20 dimensions in mm

380 | Loudspeakers | Accessories

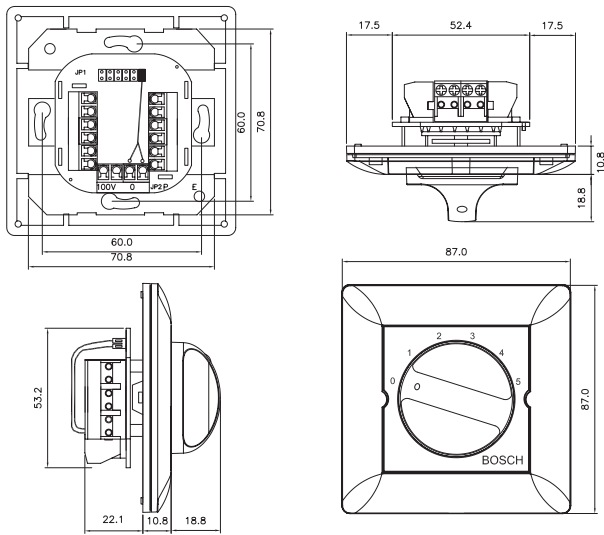
4



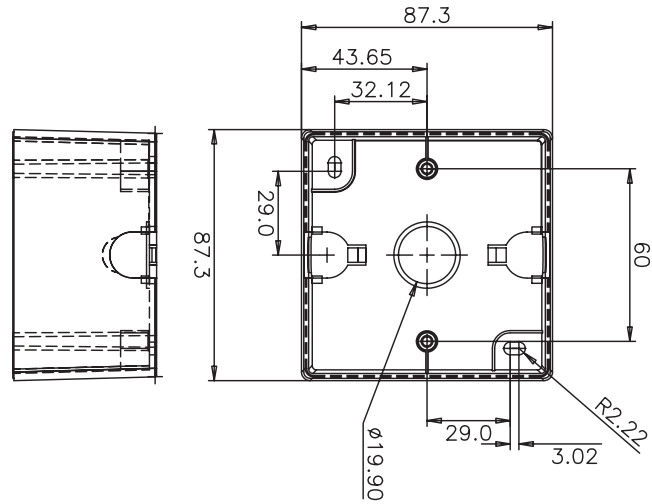
LBC 1410/10 and LBC 1410/20 dimensions in mm



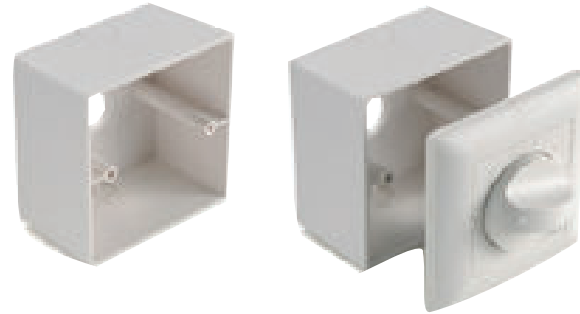
LBC 1420/10 and LBC 1420/20 dimensions in mm



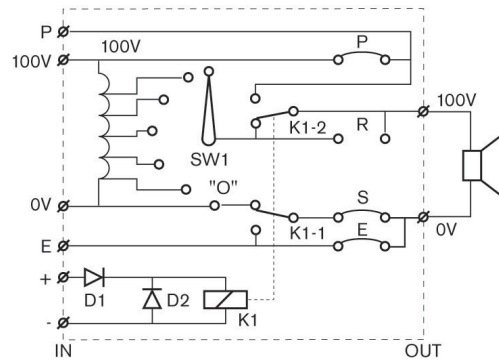
LBC 1430/10 dimensions in mm



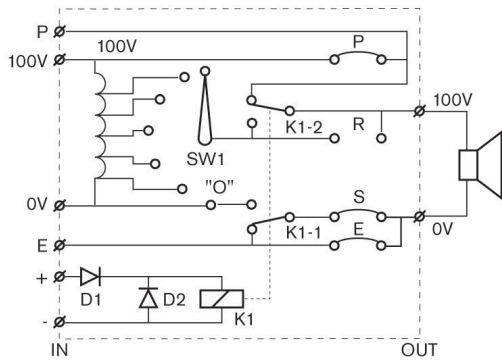
LM1-SMB-MK dimensions in mm



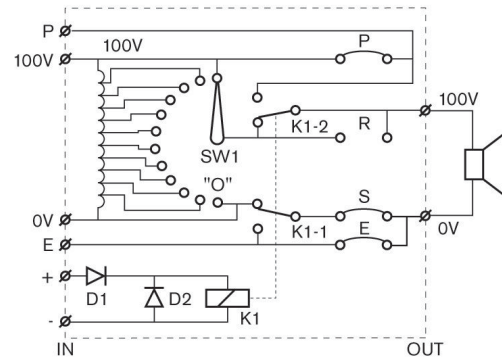
LM1-SMB-MK detail



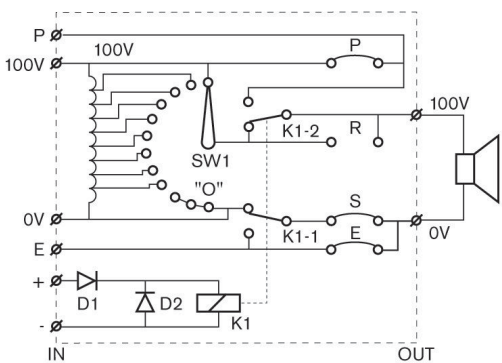
LBC 1400/10 circuit diagram



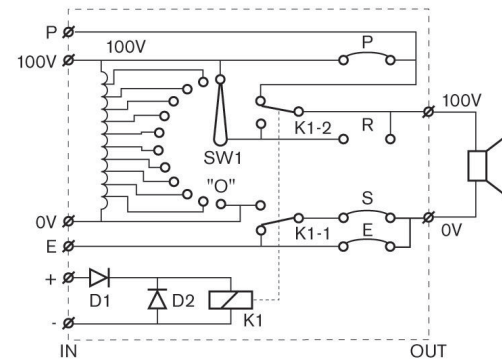
LBC 1400/20 circuit diagram



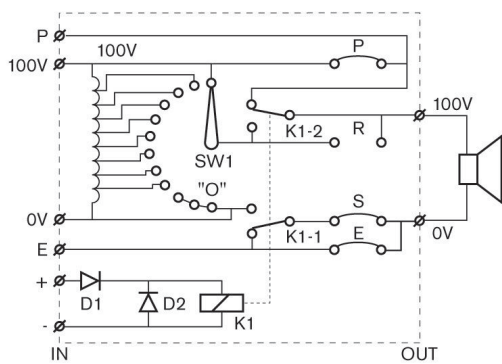
LBC 1420/10 circuit diagram



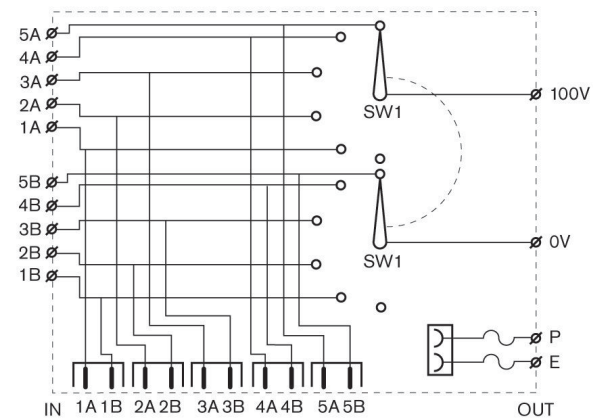
LBC 1410/10 circuit diagram



LBC 1420/20 circuit diagram



LBC 1410/20 circuit diagram



LBC 1430/10 circuit diagram

Technical Specifications

Electrical

LBC 1400/10 and /20

Rated power	12 W
Input voltage	100 V
Attenuation steps	5 x 3 dB + off
Frequency response	50 Hz to 20 kHz (-1 dB)
THD	<0.5%

382 | Loudspeakers | Accessories

4

LBC 1400/10 and /20

Current consumption	20 mA at 24 VDC
---------------------	-----------------

LBC 1410/10 and /20

Rated power	36 W
Input voltage	100 V
Attenuation steps	8 x 3 dB + off
Frequency response	50 Hz to 20 kHz (-1 dB)
THD	<0.5%

Current consumption	20 mA at 24 VDC
---------------------	-----------------

LBC 1420/10 and /20

Rated power	100 W
Input voltage	100 V
Attenuation steps	10 x 2 dB + off
Frequency response	50 Hz to 20 kHz (-1 dB)
THD	<0.5%

Current consumption	20 mA at 24 VDC
---------------------	-----------------

LBC 1430/10

Rated power	100 W
Input voltage	100 V
Number of programs	5 programs + off

Mechanical**LBC 1400/10 and /20**

Dimensions (W x H x D)	87 x 87 x 45.6 mm
Weight	226 g
Color	White (RAL 9010)

LBC 1410/10 and /20

Dimensions (W x H x D)	87 x 87 x 45.6 mm
Weight	227 g
Color	White (RAL 9010)

LBC 1420/10 and /20

Dimensions (W x H x D)	87 x 147 x 61.5 mm
Weight	512 g (including surface mounting box)
Color	White (RAL 9010)

LBC 1430/10

Dimensions (W x H x D)	87 x 87 x 32.9 mm
Weight	125 g
Color	White (RAL 9010)

LM1-SMB-MK

Dimensions (W x H x D)	87.3 x 87.3 x 50 mm
Weight	73 g
Color	White (RAL 9010)

Environmental

Operating temperature	-10 °C to +55 °C (+14 °F to +131 °F)
Storage temperature	-40 °C to +70 °C (-40 °F to +158 °F)
Relative humidity	<95%

Ordering Information

LBC 1400/10 Volume Control 12 W, MK, power-save version	LBC1400/10
---	-------------------

LBC 1400/20 Volume Control 12 W, MK, failsafe version	LBC1400/20
---	-------------------

LBC 1410/10 Volume Control 36 W, MK, power-save version	LBC1410/10
---	-------------------

LBC 1410/20 Volume Control 36 W, MK, failsafe version	LBC1410/20
---	-------------------

LBC 1420/10 Volume Control 100 W, MK D/E2, power-save version	LBC1420/10
---	-------------------

LBC 1420/20 Volume Control 100 W, MK D/E2, failsafe version	LBC1420/20
---	-------------------

LBC 1430/10 Program Selector 5-channel, MK	LBC1430/10
--	-------------------

Accessories

LM1-SMB-MK surface mounting box, MK	LM1-SMB-MK
---	-------------------

LBC 14xx/x0 U40 Volume Controls and LBC 1431/10 Program Selector



Features

- ▶ 12 W, 36 W and 100 W versions
- ▶ Available in power-save or failsafe versions
- ▶ Built-in 24 VDC override relay
- ▶ Continuous rotating system
- ▶ Suitable for 3 and 4-wire systems
- ▶ Program selector with up to five channels
- ▶ Optional surface mounting box
- ▶ Complies with international installation and safety regulations

Bosch introduces a full range of volume controls and program selectors to provide a complete public address solution.

Functions

Operation

Public address systems are often used for both announcements and background music distribution. Volume controls can be used to adjust the level locally. In addition to volume control, program selectors can also be installed to select five different programs locally. In the event of an (emergency) announcement, the built-in relay ensures that the message is broadcast at a preset level, independent of the local volume setting.

The volume controls come in three versions according to power rating: 12 W, 36 W, and 100 W. The total load of the loudspeakers connected to a volume control may not exceed the rated power.

Each of the three versions is also available in two versions. One is a power-saving, 4-wire volume override (/ 10 models), where the override relay is activated during an emergency call. The other is a failsafe, 4-wire volume override (/20 models), where the override relay is deactivated during an emergency call.

The design and color are unobtrusive in any interior. Ease of installation, operation and reliability is optimized in the design.

The volume controls and program selectors can be combined with Gira standard 55 system switchers and accessories.

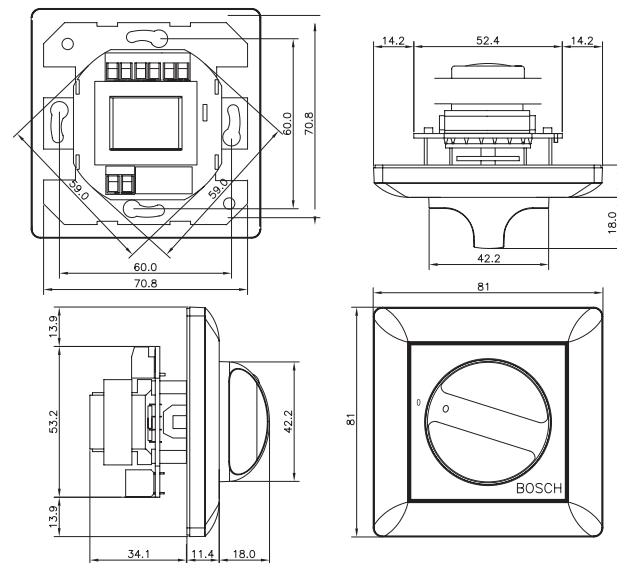
Interconnections

Screw connections

Certifications and Approvals

Safety	acc. to EN 60065
Self-extinguishing	acc. to UL 94 V0

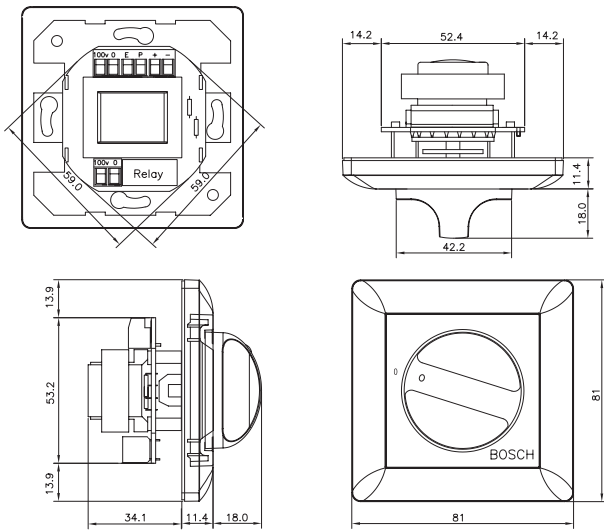
Installation/Configuration Notes



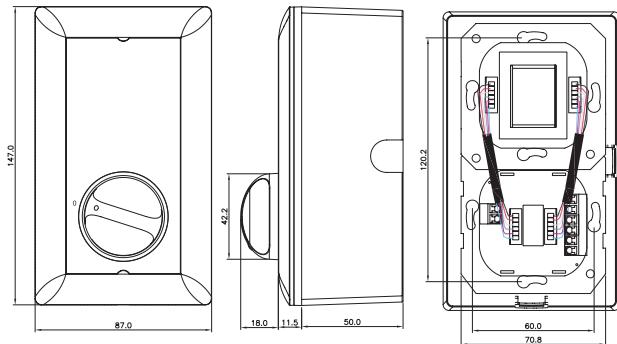
LBC 1401/10 and LBC 1401/20 dimensions in mm

384 | Loudspeakers | Accessories

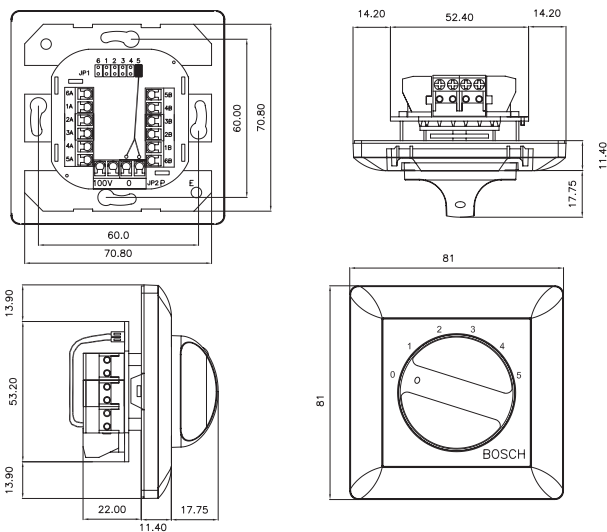
4



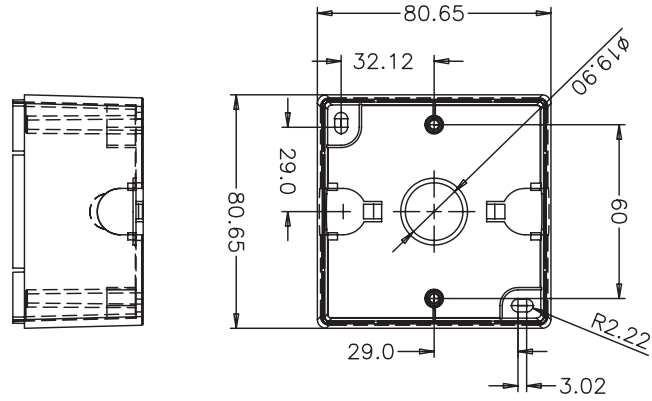
LBC 1411/10 and LBC 1411/20 dimensions in mm



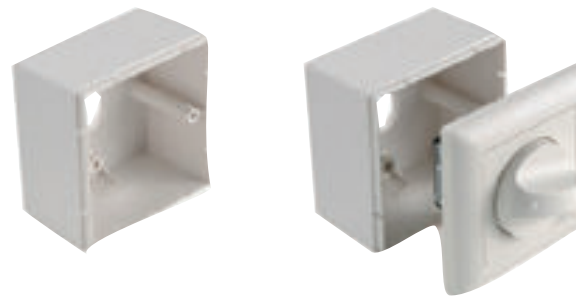
LBC 1420/10 and LBC 1420/20 dimensions in mm



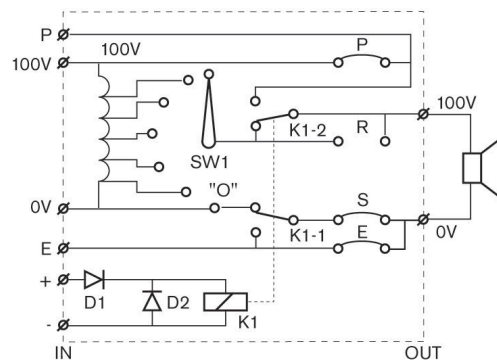
LBC 1431/10 dimensions in mm



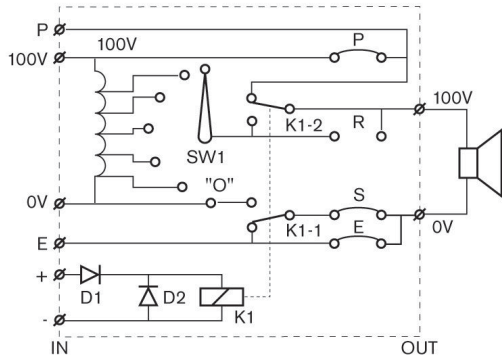
LM1-SMB-U40 dimensions in mm



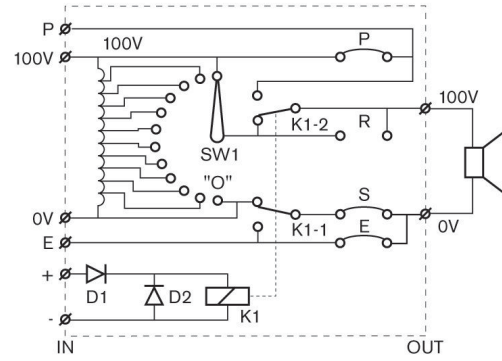
LM1-SMB-U40 detail



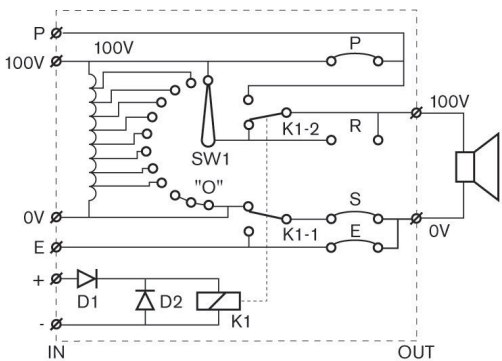
LBC 1401/10 circuit diagram



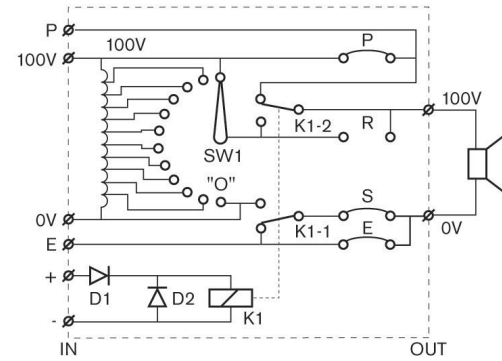
LBC 1401/20 circuit diagram



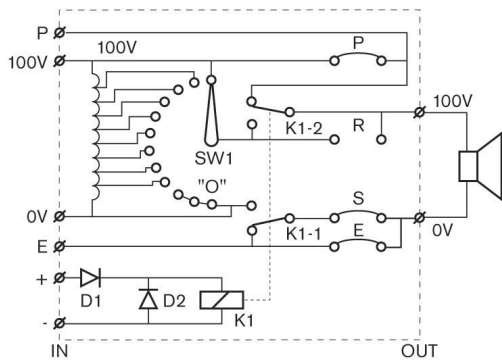
LBC 1420/10 circuit diagram



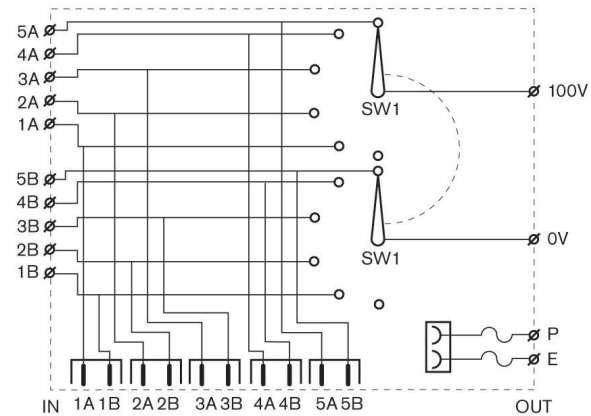
LBC 1411/10 circuit diagram



LBC 1420/20 circuit diagram



LBC 1411/20 circuit diagram



LBC 1431/10 circuit diagram

Technical Specifications

Electrical

LBC 1401/10 and /20

Rated power	12 W
Input voltage	100 V
Attenuation steps	5 x 3 dB + off
Frequency response	50 Hz to 20 kHz (-1 dB)
THD	<0.5%

386 | Loudspeakers | Accessories

4

LBC 1401/10 and /20

Current consumption	20 mA at 24 VDC
Connector	Screw terminal

LBC 1411/10 and /20

Rated power	36 W
Input voltage	100 V
Attenuation steps	8 x 3 dB + off
Frequency response	50 Hz to 20 kHz (-1 dB)
THD	<0.5%
Current consumption	20 mA at 24 VDC
Connector	Screw terminal

LBC 1420/10 and /20

Rated power	100 W
Input voltage	100 V
Attenuation steps	10 x 2 dB + off
Frequency response	50 Hz to 20 kHz (-1 dB)
THD	<0.5%
Current consumption	20 mA at 24 VDC
Connector	Screw terminal

LBC 1431/10

Rated power	100 W
Input voltage	100 V
Number of programs	5 programs + off
Connector	Screw terminal

Mechanical**LBC 1401/10 and /20**

Dimensions (W x H x D)	81 x 81 x 45.5 mm
Weight	214 g
Color	White (RAL 9010)

LBC 1411/10 and /20

Dimensions (W x H x D)	81 x 81 x 45.5 mm
Weight	217 g
Color	White (RAL 9010)

LBC 1420/10 and /20

Dimensions (W x H x D)	87 x 147 x 61.5 mm
Weight	512 g (including surface mounting box)
Color	White (RAL 9010)

LBC 1431/10

Dimensions (W x H x D)	81 x 81 x 33.4 mm
Weight	110 g
Color	White (RAL 9010)

LM1-SMB-U40

Dimensions (W x H x D)	80.65 x 80.65 x 45 mm
Weight	60 g
Color	White (RAL 9010)

Environmental

Operating temperature	-10 °C to +55 °C (+14 °F to +131 °F)
Storage temperature	-40 °C to +70 °C (-40 °F to +158 °F)
Relative humidity	<95%

Ordering Information

LBC 1401/10 Volume Control 12W, U40, power-save version	LBC1401/10
LBC 1401/20 Volume Control 12 W, U40, failsafe version	LBC1401/20
LBC 1411/10 Volume Control 36 W, U40, power-save version	LBC1411/10
LBC 1411/20 Volume Control 36 W, U40, failsafe version	LBC1411/20
LBC 1420/10 Volume Control 100 W, MK D/E2, power-save version	LBC1420/10
LBC 1420/20 Volume Control 100 W, MK D/E2, failsafe version	LBC1420/20
LBC 1431/10 Program Selector 5-channel, U40	LBC1431/10

Accessories

LM1-SMB-U40 surface mounting box, U40	LM1-SMB-U40
---	--------------------

LBC 14x2/x0 Japanese Volume Controls and LBC 1434/10 Program Selector



Features

- ▶ 12 W and 36 W versions
- ▶ Available in power-save or failsafe versions
- ▶ Built-in 24 VDC override relay
- ▶ Suitable for 3-wire and 4-wire systems
- ▶ Program selector with up to five channels
- ▶ Complies with international installation and safety regulations

Bosch introduces a full range of volume controls and program selectors to provide a complete public address solution.

Functions

Operation

Public address systems are often used for both announcements and background music distribution. Volume controls can be used to adjust the level locally. In addition to volume control, program selectors can also be installed to select five different programs locally. In the event of an (emergency) announcement, the built-in relay ensures that the message is broadcast at a preset level, independent of the local volume setting.

The volume controls come in two versions according to power rating: 12 W and 36 W. The total load of the loudspeakers connected to a volume control may not exceed the rated power.

Each of the three versions is also available in two versions. One is a power-saving, 4-wire volume override (/10 models), where the override relay is activated during an emergency call. The other is a failsafe, 4-wire volume override (/20 models), where the override relay is deactivated during an emergency call.

The design and color are unobtrusive in any interior. Ease of installation, operation and reliability is optimized in the design.

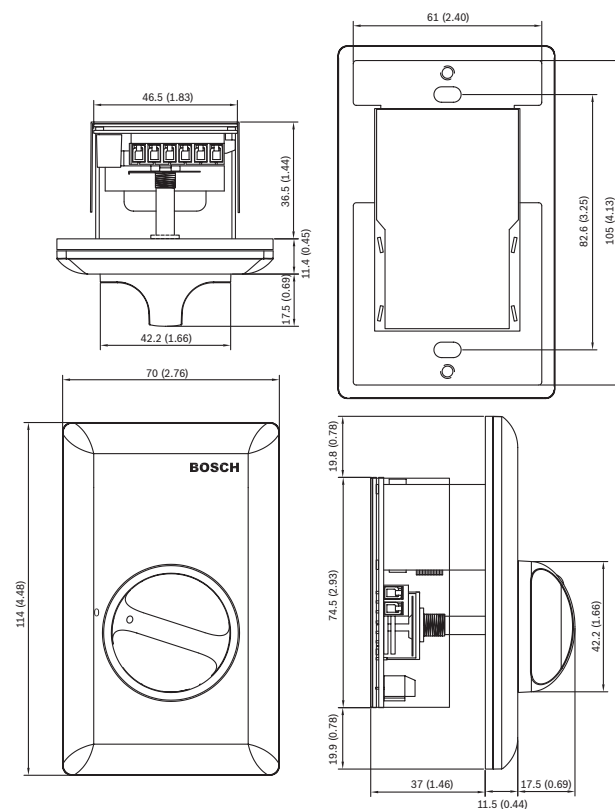
Interconnections

Screw connections

Certifications and Approvals

Safety	acc. to EN 60065
Self-extinguishing	acc. to UL 94 VO

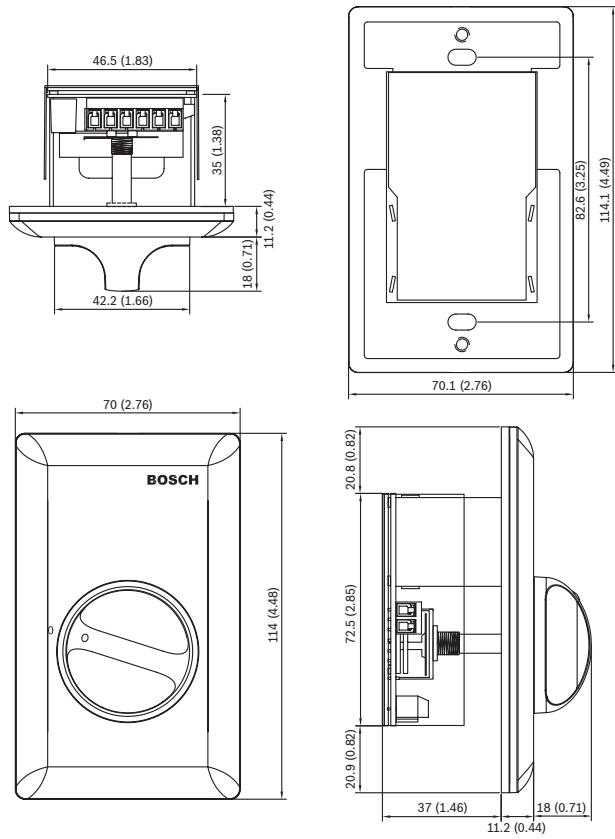
Installation/Configuration Notes



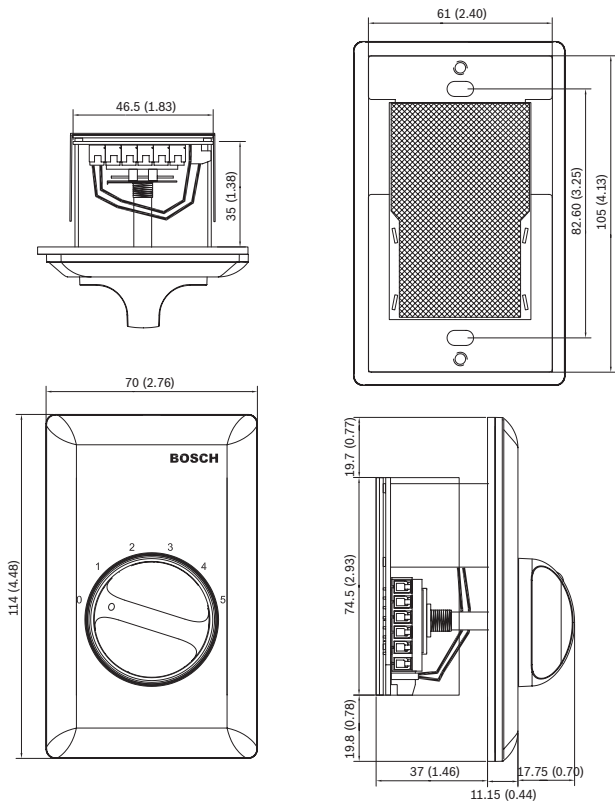
LBC 1402/10 and LBC 1402/20 dimensions in mm

388 | Loudspeakers | Accessories

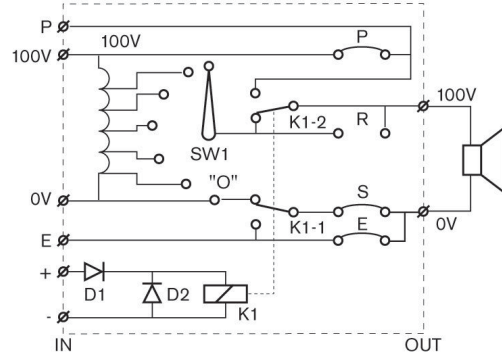
4



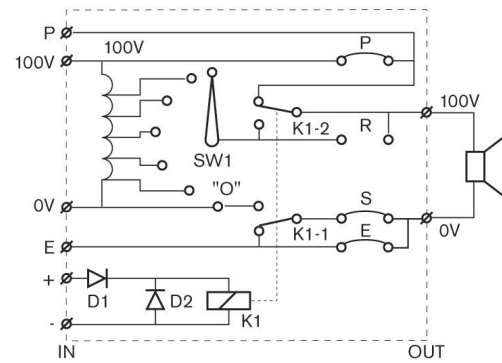
LBC 1412/10 and LBC 1412/20 dimensions in mm



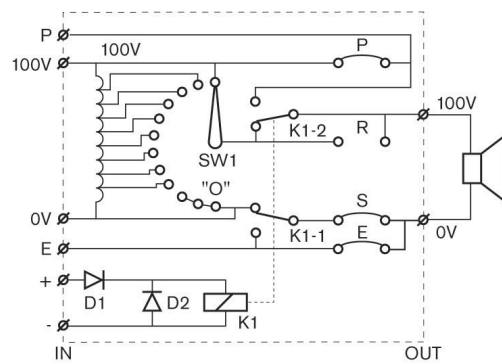
LBC 1434/10 dimensions in mm



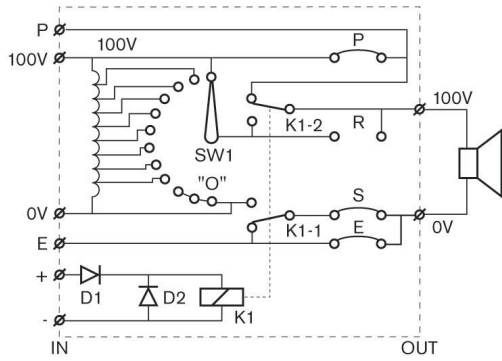
LBC 1402/10 circuit diagram



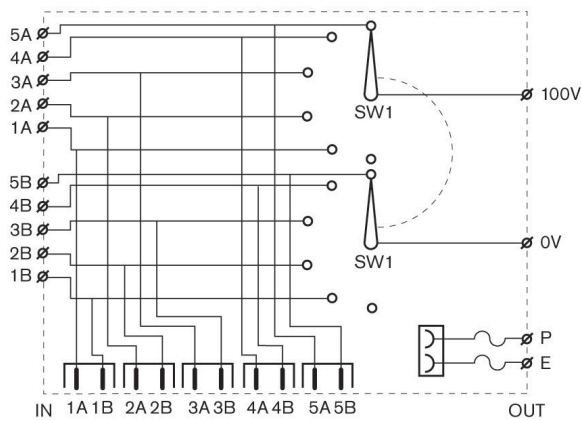
LBC 1402/20 circuit diagram



LBC 1412/10 circuit diagram



LBC 1412/20 circuit diagram



LBC 1434/10 circuit diagram

Technical Specifications

Electrical

LBC 1402/10 and /20

Rated power	12 W
Input voltage	100 V
Attenuation steps	5 x 3 dB + off
Frequency response	50 Hz to 20 kHz (-1 dB)
THD	<0.5%
Current consumption	20 mA at 24 VDC

LBC 1412/10 and /20

Rated power	36 W
Input voltage	100 V
Attenuation steps	8 x 3 dB + off
Frequency response	50 Hz to 20 kHz (-1 dB)
THD	<0.5%
Current consumption	20 mA at 24 VDC

LBC 1434/10

Rated power	100 W
Input voltage	100 V
Number of programs	5 programs + off

Mechanical

LBC 1402/10 and /20

Dimensions (W x H x D)	70 x 114 x 48.2 mm
Weight	210 g
Color	Off-white (RAL 9010)

LBC 1412/10 and /20

Dimensions (W x H x D)	70 x 114 x 48.2 mm
Weight	260 g
Color	Off-white (RAL 9010)

LBC 1434/10

Dimensions (W x H x D)	70 x 114 x 48.2 mm
Weight	200 g
Color	Off-white (RAL 9010)

Environmental

Operating temperature	-10 °C to +55 °C (14 °F to +131 °F)
Storage temperature	-40 °C to +70 °C (-40 °F to +158 °F)
Relative humidity	<95%

Ordering Information

LBC 1402/10 Volume Control 12 W, Japanese, power-save version	LBC1402/10
LBC 1402/20 Volume Control 12 W, Japanese, failsafe version	LBC1402/20
LBC 1412/10 Volume Control 36 W, Japanese, power-save version	LBC1412/10
LBC 1412/20 Volume Control 36 W, Japanese, failsafe version	LBC1412/20
LBC 1434/10 Program Selector 5-channel, Japanese	LBC1434/10

LBC 3080/x1 Fire Dome

4



During a fire, the ceiling cavity can allow fire or smoke to spread throughout a building. To inhibit fire entering the cavity via the ceiling loudspeaker, it can be fitted with an LBC 3080/x1 steel fire dome. This is mounted on the loudspeaker assembly using four self-tapping screws supplied with the fire dome. The fire-dome has knockout holes for two grommets (supplied) and two cable glands (PG 13).

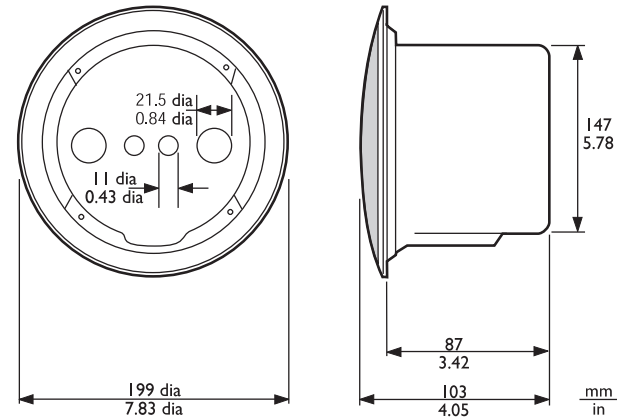
The LBC 3080/x1 Fire dome is available in two color versions: the LBC 3080/01 is flame red (RAL 3000) and the LBC 3080/11 is white (RAL 9010).

This fire dome can only be used with the ceiling speakers: LBC 3087/41, LBC 3090/01, LBC 3090/31, LHM 0606/00 and LHM 0606/10.

Certifications and Approvals

B15 DIN 4102-8

Installation/Configuration Notes



LBC 3090/01 and LBC 3080/x1 Fire Dome assembly dimensions in mm (in)

Parts Included

Quantity	Components
1	LBC 3080/x1 Fire Dome
4	Self tapping screws
2	Rubber grommets

Technical Specifications

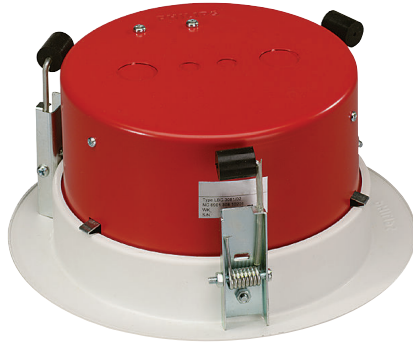
Mechanical

Dimensions (dia. x max depth)	147 x 87 mm (5.8 x 3.4 in)
Weight	360 g (0.8 lb)
Color	LBC 3080/01 flame red (RAL 3000) LBC 3080/11 white (RAL 9010).

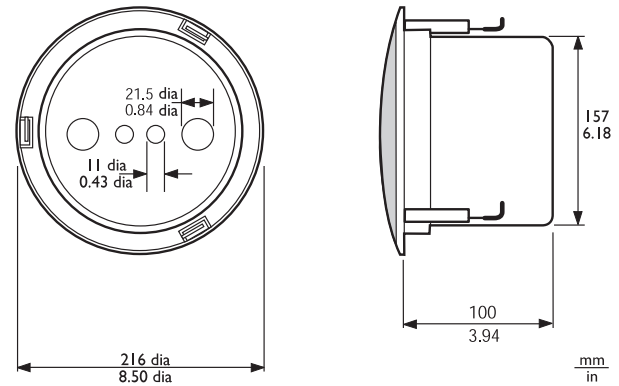
Ordering Information

LBC 3080/01 Fire Dome metal fire dome for the LBC 3087/41, LBC 3090/01, LBC 3090/31, LHM 0606/00 and LHM 0606/10 ceiling loudspeakers	LBC 3080/01
LBC 3080/11 Fire Dome metal fire dome for the LBC 3087/41, LBC 3090/01, LBC 3090/31, LHM 0606/00 and LHM 0606/10 ceiling loudspeakers	LBC3080/11

LBC 3081/02 Fire Dome



Installation/Configuration Notes



LBC3086/41 + LBC 3081/02 fire dome assembly dimensions in mm (in)

4

During a fire, the ceiling cavity in which loudspeakers are installed can allow flames to spread throughout a building. To prevent fire entering the cavity via the loudspeaker, the ceiling loudspeaker can be fitted with a steel fire dome (LBC 3081/02). This optional fire dome is clicked into the mounting-ring via three leaf springs, before the loudspeaker is inserted. For extra convenience, a safety cord from the fire dome allows the installer to temporarily hang the loudspeaker unit during installation. This cord also provides reassurance after installation. The fire-dome has knockout holes for two grommets (supplied) and two cable glands (PG 13).

This fire dome can only be used with the LBC 3086/41 Ceiling Loudspeaker.

Note Product photo includes LBC 3086/41

Parts Included

Quantity	Components
1	LBC 3081/02 Fire Dome
1	Safety cord
2	Rubber grommets

Technical Specifications

Mechanical

Dimensions (dia. x max. depth)	157 x 70 mm (6.2 x 2.8 in)
Weight	360 g (0.8 lb)
Color	Flame red (RAL 3000)
Certified B15	Acc. to DIN 4102

Certifications and Approvals

Region	Certification
Europe	CE Declaration of Conformity

Ordering Information

LBC 3081/02 Fire Dome metal fire dome for LBC 3086/41 ceiling loudspeaker	LBC3081/02
--	-------------------

LBC 3082/00 Fire Dome



4

Ordering Information

LBC 3082/00 Fire Dome
metal fire dome for LBC 3099/41 ceiling
loudspeaker

LBC 3082/00

During a fire, the ceiling cavity in which loudspeakers are installed can allow flames to spread throughout a building. To prevent fire entering the cavity via the loudspeaker, the ceiling loudspeaker can be fitted with a steel fire dome. This optional fire dome is mounted on the loudspeaker assembly using four self-tapping screws supplied with the fire dome. The fire dome has knockout holes for two grommets (supplied) and two cable glands (PG 13).

This fire dome can only be used with the LBC 3099/41 Ceiling Loudspeaker.

Certifications and Approvals

Region	Certification
Europe	CE
B15	DIN 4102-8

Parts Included

Quantity	Components
1	LBC 3082/00 Fire Dome
4	Self tapping screws
2	Rubber grommets

Technical Specifications

Mechanical

Dimensions (dia. x max. depth)	182 x 100 mm (7.2 x 3.9 in)
Weight	540 g (1.19 lb)
Color	Flame red (RAL 3000)